

see what Delta can do™

BATHROOM FAUCET

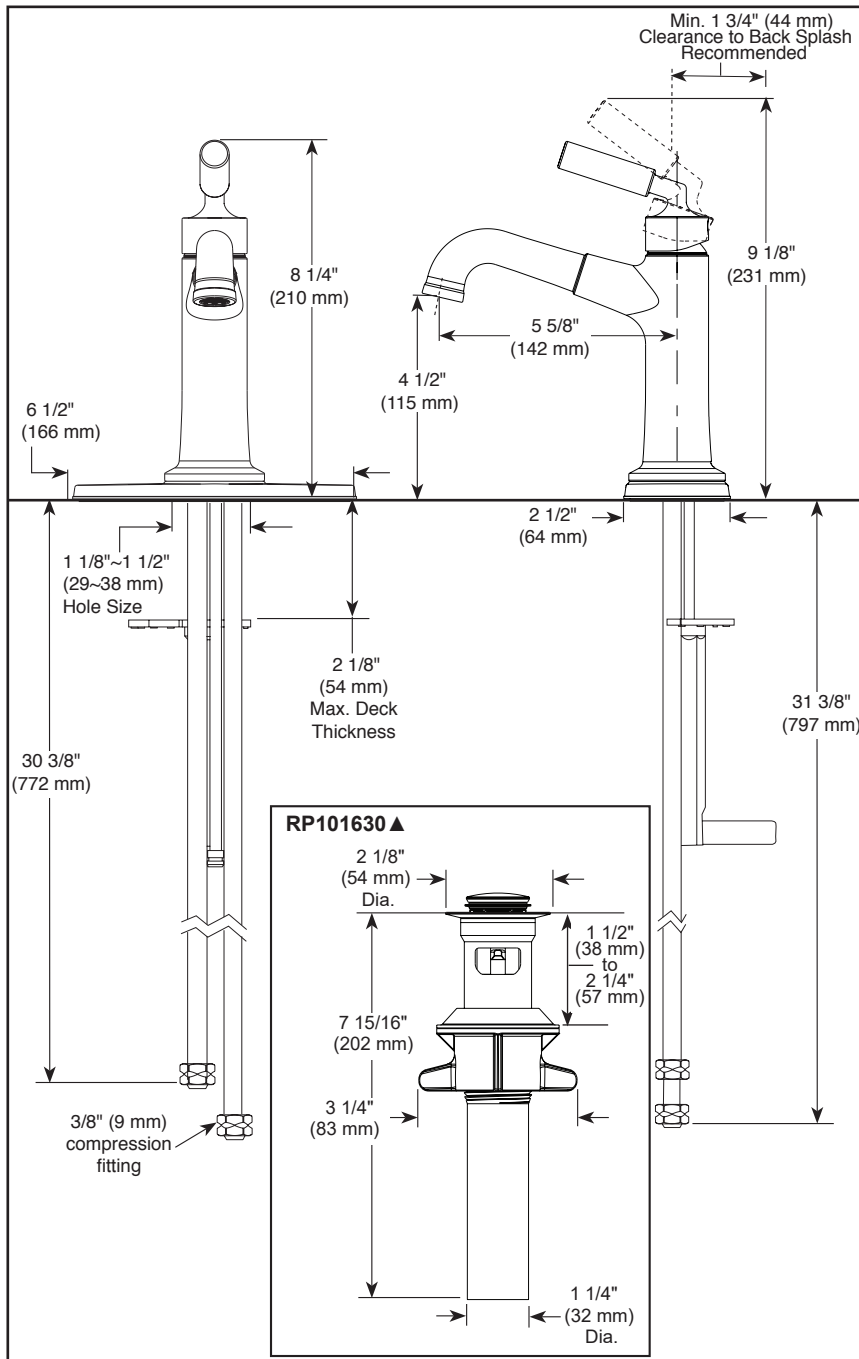
- Bowery® Bath Collection
- Single Handle Deck Mount

STANDARD SPECIFICATIONS:

- Max flow rate 1.2 gpm @ 60 psi, 4.5 L/min @ 414 kPa
- Order aerator RP101953-1.0 for maximum 1.0 gpm @ 60 psi, 3.8 L/min @ 414 kPa
- Order aerator RP101953-0.5 for maximum 0.5 gpm @ 60 psi, 1.9 L/min @ 414 kPa
- Solid metal construction
- One or three-hole mount (escutcheon included)
- 1/4" O.D. straight, staggered PEX supply tubes
- Diamond coated ceramic cartridge
- Handle motion "Euro Style"
- Optional red/blue indicator ring provided with model
- Models have metal drain with push pop-up type fitting with plated flange and stopper, no lift rod hole

WARRANTY

- Parts and Finish - Lifetime limited warranty; or for commercial purchasers, 10 years for multi-family residential (apartments and condominiums) and 5 years for all other commercial uses, in each case from the date the product is received by the original purchaser or their authorized representative (installation contractor, etc.).
- Please go to www.deltafaucet.com for the complete details of our limited warranty.



▲ Designate proper finish suffix



COMPLIES WITH:

- ASME A112.18.1 / CSA B125.1
- ASME A112.18.2 / CSA B125.2
- EPA WaterSense® - 1.2 GPM models only
- ICC/ANSI A117.1

Delta Faucet Company reserves the right (1) to make changes in specifications and materials, and (2) to change or discontinue models, both without notice or obligation. Dimensions are for reference only. See current full-line price book or www.deltafaucet.com for finish options and product availability.

DSP-L-548LF-MPU Rev. D

Delta Faucet Company

55 E. 111th Street, Carmel, IN 46280
 350 South Edgeware Road, St. Thomas, ON N5P 4L1
 © 2025 Delta Faucet Company